



**NATURE  
IN A POT**



**BEAUTIFUL  
ON THE OUTSIDE  
SMART  
ON THE INSIDE**

---

© Otium Design by DS Plastics.

Mosten 18  
9160 Lokeren  
T:+32 (0)9 280.78.80

[www.dsplasticsgroup.com](http://www.dsplasticsgroup.com)  
[sales@otium-design.com](mailto:sales@otium-design.com)  
[www.otium-design.com](http://www.otium-design.com)



# NATURE IN A POT

---

Bold design that is deceptively simple. With originality and practicality in mind, and a focus on plants. All of this is what makes Otium. Oh, and bottle tops, because our design products are made from waste (synthetic) wine bottle corks and remnants of natural cork.

We take waste as our raw material and process it into planters and flower pots: it doesn't get greener than that. It doesn't get prettier either, by the way: Otium products are the most stylish pots around. With their natural looks, they really make your greenery shine.



# Otium

## MEET OUR BRAND NEW COLOUR RANGE

. 8 The story of Otium. Feel free to tell your friends.

## ECO-FRIENDLY & EXCLUSIVE MATERIALS

. 10 From disposables to new life.  
Our passion is to give things a new life by turning them into something that will last as long as possible.

## PRODUCT RANGE

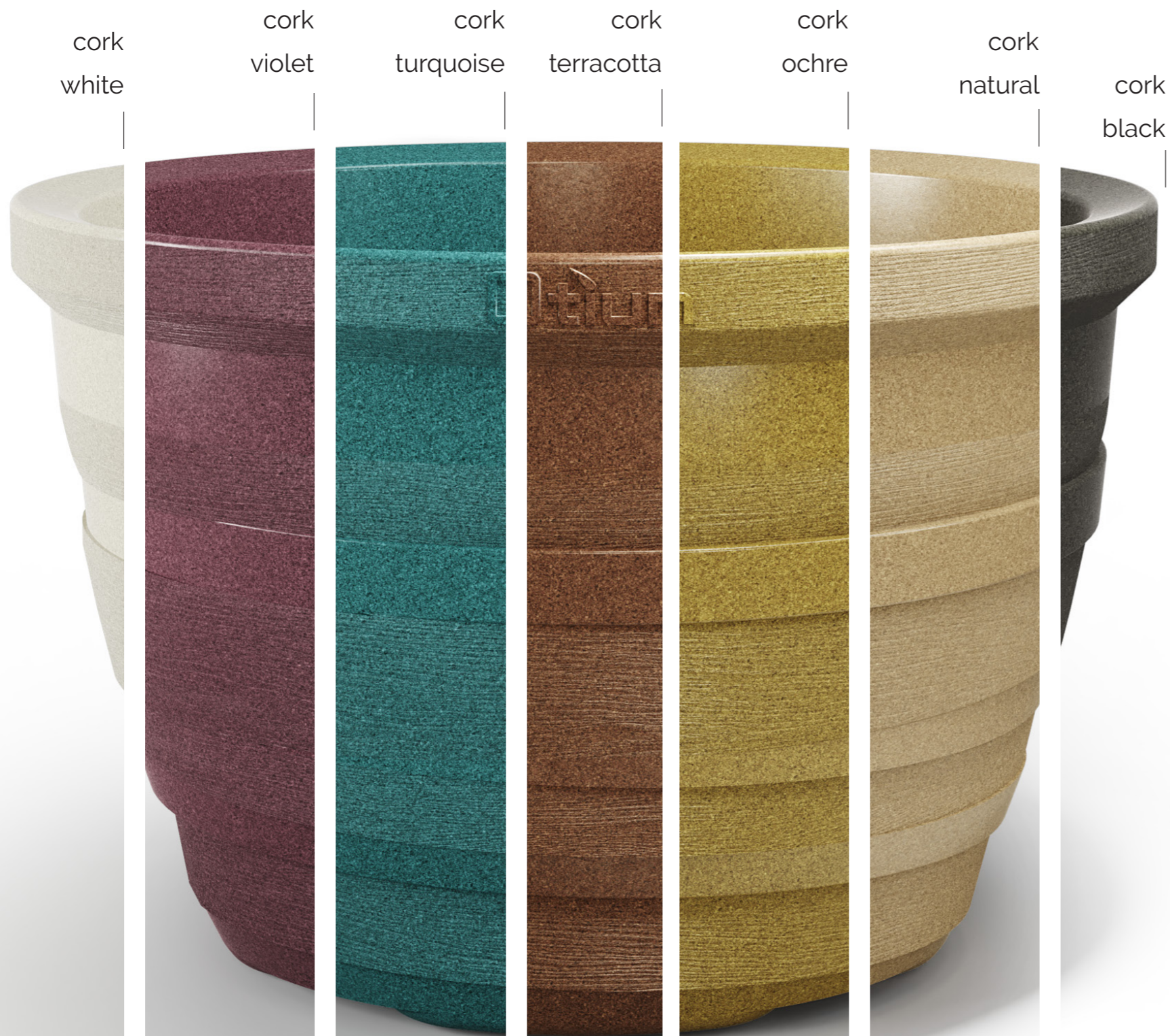
- |                 |                           |
|-----------------|---------------------------|
| . 12 MENSA      | quadris 60                |
| mensa 19        | . 28 OLLA                 |
| . 14 LIGNUM     | olla 40                   |
| lignum 40       | olla 70                   |
| lignum 55       | olla 100                  |
| . 16 MURUS      | olla 135                  |
| murus 27        | . 32 CITTA                |
| murus 90        | citta 110                 |
| . 18 LINEA      | . 34 OLLA TABLE           |
| linea 40        | olla table vinum          |
| linea 100       | olla table herba          |
| . 20 PENDULUM   | . 36 CUBUS                |
| pendulum square | cubus wood                |
| pendulum long   | . 38 CYLINDRUS            |
| . 22 AMPHORA    | cylindrus wood            |
| amphora 45      | . 40 BASSO                |
| amphora 75      | basso wood                |
| . 24 QUADRIS    | . 42 RAINSAVER SLIMDESIGN |
| quadris 40      | rainsaver slimdesign 430  |
| quadris 40 long | rainsaver slimdesign 850  |

## FEATURES

. 44 8 excellent reasons to fall like a log for Otium.

## TECHNICAL SPECIFICATIONS

. 46 Here's a roundup of our collection, including sizes and technical titbits.



discarded? we'll give it a new life!

In an ideal world, nothing goes to waste and everything lasts forever. That vision is part of our DNA at Otium, because the bulk of our pots consists of:

- 95% discarded synthetic wine bottle corks
- 5% real cork: scraps too small to cut wine corks from

We transform these two raw materials into a composite material that can withstand more than a little rough handling. Whether sun, water, or clumsy people ... Otium products can withstand absolutely anything.

#### cut out for design

We love our planet, that's obvious. But it doesn't stop there. Otium is made in Belgium. We offer homegrown quality, 'Grown' with care for nature, and upcycled into designer items that deserve to be seen, with a natural flair. In a range of fabulous colours that will complement any surroundings and that will not fade.

Whether the pot or the plant: every product is unique, that's what you can expect when you work with natural and recycled materials.

Fallen like a log for the Otium philosophy?  
Feel free to tell your friends.

# MEET OUR BRAND NEW COLOUR RANGE

Cork is harvested from the bark of the cork oak tree. This natural product is used to make wine corks, among other things, and some cork is always lost in the process. We grind these scraps into a powder: the first raw material of our Otium products.



There are also synthetic corks. A certain amount is always discarded in the production of these bottle closures. The discarded corks are the basis for our second raw material.



The corks are coarsely shredded into granules, then processed into pellets and finally ground into a fine powder.

#### more than just pots

Otium has a simple mission: to give things a new, long life with an attractive design. That new life takes shape in flower pots and planters – our showpieces – but our materials equally lend themselves to making other beautiful things too, such as tables for toasting in style, with an inner 'bucket' for chilling bottles – let those corks pop! Or cubes and cylinders to sit on, to place something on, or to use for storage.

#### good for your green space

Otium products are versatile and strong: dimensionally stable, unbreakable, and UV- and frost-resistant. Ideal for placing in the sun, or just indoors: wherever you want to enjoy your plants and flowers.

But you can know that Otium allows nature to thrive. The air layer between the two walls protects roots from frost and stops them from drying out, while the drainage system prevents wet feet – those of your plants, not yours!

#### recycled or recyclable

You have a choice of materials:

- Recycled: composite made from 95% discarded synthetic corks and 5% real cork from discarded scraps.
- New: 'virgin' plastic with a long life and suitable for recycling.

Our recycled Otium products are available in 7 colours with very natural looks; while our virgin plastics come in 3 classic shades.



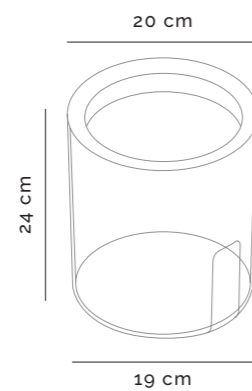
# ECO-FRIENDLY & EXCLUSIVE MATERIALS



# MENSA 19

We designed the MENSA 19 to help you grow flowers in style. Designed to hold a 19cm cultivation pot, it's the perfect addition to the table in a meeting room, dining room, office or reception area, but also fits in perfectly on a bookshelf or mantelpiece. The single-walled MENSA 19 is made from recycled materials and delivered in eco-packaging.

	inside	outside
height	20 cm	24 cm
top Ø	16 cm	20 cm
bottom Ø	19 cm	19 cm
volume	5L	



RECYCLED  
PLASTICS & CORK



| WHITE



| VIOLET



| TURQUOISE



| TERRACOTTA



| OCHRE



| NATURAL



| BLACK

Mensa is small but stylish and the perfect size for plant pots. Buy a whole bunch of them at once and brighten up your home or workplace. Mensa likes to be in the company of green lovers.

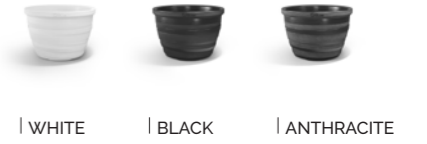




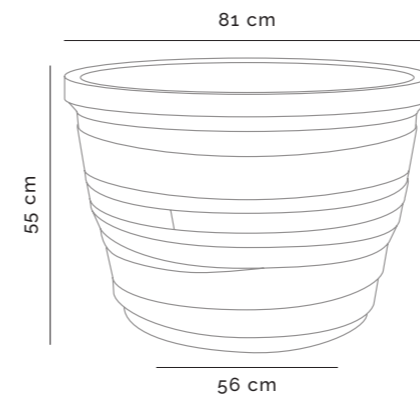
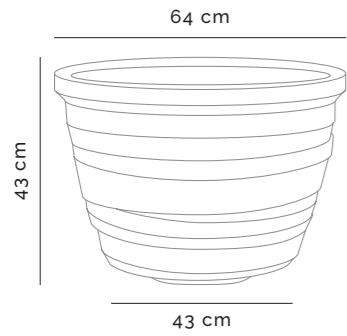
RECYCLED  
PLASTICS & CORK



VIRGIN  
PLASTICS



Lignum subtly steals the show with its tactile design: smooth contrasting with rough. A quirky model that finds a home equally well in chic and casual settings – both indoors and out.



LIGNUM40



Meet quirky Lignum. It's instantly striking thanks to the mix of textures. Rough and smooth together, the best of both worlds. At home in both polished and more robust environments, either indoors or out.

	height	top Ø	bottom Ø	volume
inside	35 cm	57 cm	45 cm	75 L
outside	43 cm	64 cm	43 cm	

LIGNUM55



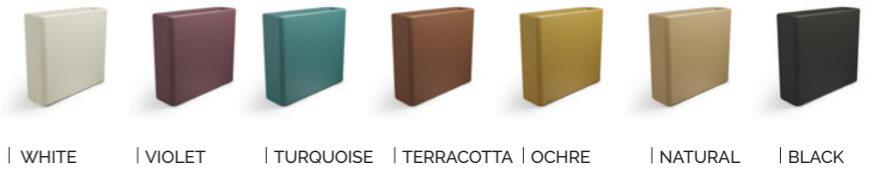
Both the larger and more compact Lignum have been specially designed with small, cultured trees in mind. That's precisely why they're so stable. Though tall trees often catch the wind, Lignum stands firm.

	height	top Ø	bottom Ø	volume
inside	45 cm	73 cm	54 cm	150 L
outside	55 cm	81 cm	56 cm	





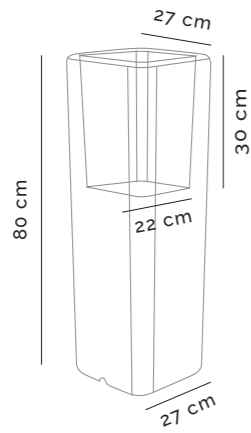
RECYCLED  
PLASTICS & CORK



VIRGIN  
PLASTICS

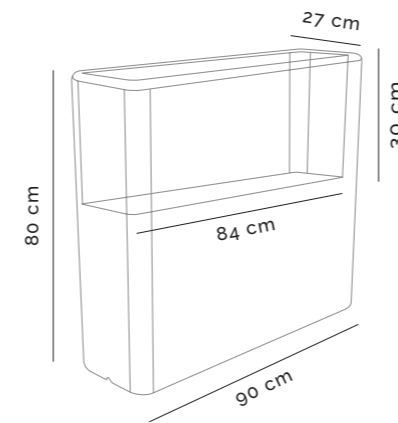


The sleek Murus is ideally suited to brightening up your walls. Place a few of them side by side and you'll create a half-height wall in no time. Great if you like privacy or a (plant-) friendly atmosphere.



Want to discretely brighten up that wall or that corner of the room with a bit more green? If so, Murus 27 is your partner in crime. Got a bit more space? Then a Murus collection may be right at home.

	height	length	width	volume
inside	30 cm	22 cm	22 cm	17 L
outside	80 cm	27 cm	27 cm	



Wide enough to create your very own mini-jungle. In fact, whenever you opt to use high plants, the Murus 90 makes the perfect stylish partition.

	height	length	width	volume
inside	30 cm	84 cm	22 cm	66 L
outside	80 cm	90 cm	27 cm	

MURUS27

MURUS90



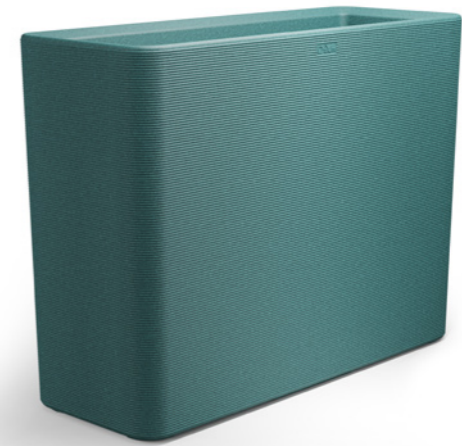
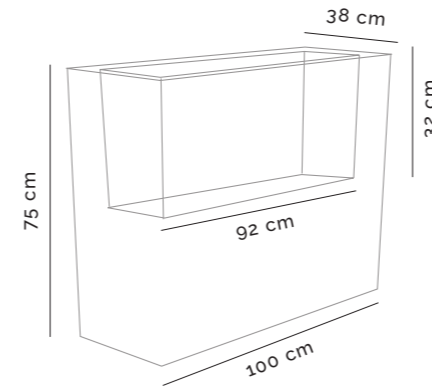
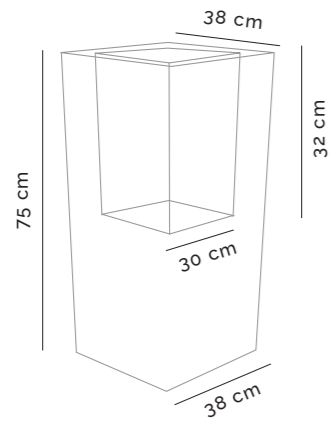
RECYCLED  
PLASTICS & CORK



VIRGIN  
PLASTICS



Sleek and ravishing, a stylish eye-catcher @home or @work. Add a touch of touch to your greenery with Linea. Place a few slim beauties side by side and you have the perfect room divider.



LINEA40



Slim and refined, LINEA 40 offers an infinite range of possibilities and can be seamlessly combined with its larger cousin LINEA 100. Wheels can be attached to LINEA 40 in the blink of an eye for quick and efficient moving.

	height	length	width	volume
inside	32 cm	30 cm	30 cm	28 L
outside	75 cm	38 cm	38 cm	

LINEA100



LINEA 100 is the perfect room divider: sleek and stable for outdoors, yet suitable for every high-end setting thanks to its refined lines. Wheels can be attached to LINEA 100 in the blink of an eye for quick and efficient moving.

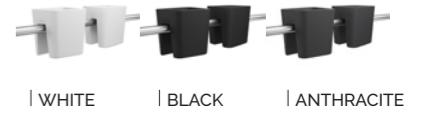
	height	length	width	volume
inside	32 cm	92 cm	30 cm	88 L
outside	75 cm	100 cm	38 cm	



RECYCLED  
PLASTICS & CORK

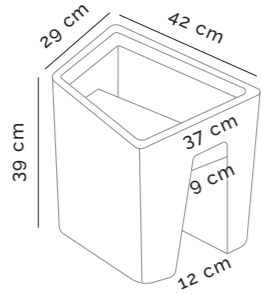


VIRGIN  
PLASTICS



Atypical, asymmetrical and appetising – the three code words of the Pendulum balustrade flower box. Ideal for flowers and herbs on your balcony ... and to keep prying eyes off your patio. The PENDULUM planters can also be placed on the ground. We also came up with an additional volume as a seasoning container for an urban garden environment.  
Designed by Maxime Szyf - [www.maximaldesign.com](http://www.maximaldesign.com) - [www.yellowwindow.com](http://www.yellowwindow.com)

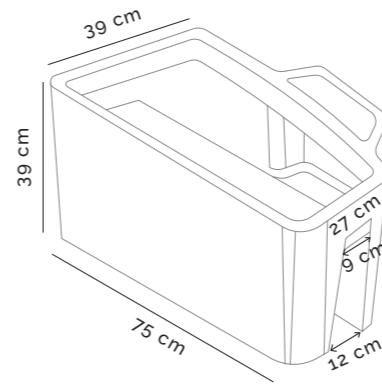
# PENDULUMSQUARE



Solid, square and robust, but not hard or sharp. Thanks to its rounded corners, the Pendulum Square is soft in its appearance. Tough, but still a cookie. The Otium PENDULUM is a high-quality railing planter. The planter is provided with a safety system to prevent it falling off the railing.

	height	length	width	volume
inside	39 cm	36 cm	31 cm	44 L
outside	39 cm	42 cm	37 cm	

# PENDULUMLONG



Extended elegance with soft curves. The longer brother of the Pendulum Square, the Pendulum Long offers even more green space. Ideally suited to those who think that choosing is losing. The planter is provided with a safety system to prevent it falling off the railing.

	height	length	width	volume
inside	39 cm	69 cm	33 cm	81 L
outside	39 cm	75 cm	39 cm	



RECYCLED  
PLASTICS & CORK



| WHITE



| VIOLET



| TURQUOISE



| TERRACOTTA | OCHRE



| NATURAL



| BLACK

VIRGIN  
PLASTICS



| WHITE



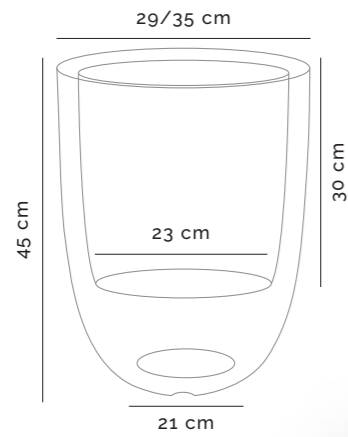
| BLACK



| ANTHRACITE

Amphora is as graceful as a vase, yet as sturdy as the sturdiest planter. A picture when you fill them with trailing or tall plants. And even better in a series of two, three ... as many as you like.

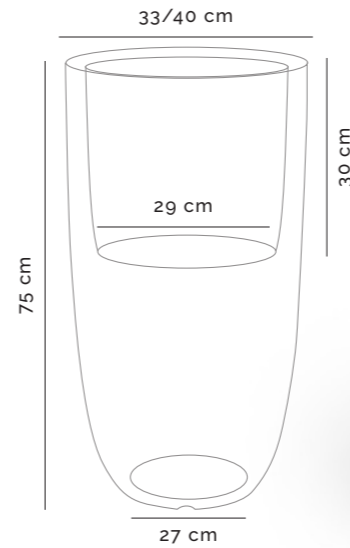
# AMPHORA45



The Otium Amphora 45 is a high-quality double-walled planter. The Otium drainage system makes sure there is adequate drainage for the plants. When planting inside, the drainage system can be closed using the supplied screw cap with rubber seal.

	height	top Ø	bottom Ø	volume
inside	30 cm	29 cm	23 cm	18 L
outside	45 cm	35 cm	21 cm	

# AMPHORA75



The Otium Amphora 75 is the bigger brother of the Otium Amphora 45. Both flowerpots look perfect when placed side by side. They can be used outdoors or indoors. Its basic shape and smooth curves make the Amphora 75 the perfect addition to the Otium Family.

	height	top Ø	bottom Ø	volume
inside	30 cm	33 cm	29 cm	24 L
outside	75 cm	40 cm	27 cm	



RECYCLED  
PLASTICS & CORK

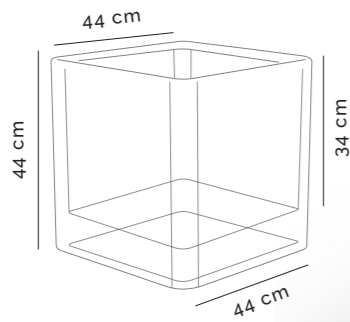


VIRGIN  
PLASTICS



This understated beauty was given rounded corners to soften the simple basic shape. Discreet, but never overlooked. The perfect companion for understated interiors and outdoor spaces.

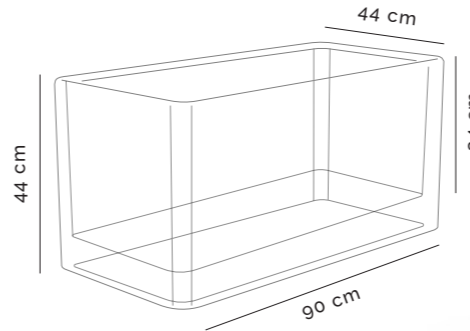
# QUADRIS40



The design is in the detail. So this basic mould has rounded corners, as organic as the flowers and plants which it discreetly puts in the spotlight. For indoor or outdoor use.

	height	length	width	volume
inside	34 cm	36 cm	36 cm	43 L
outside	44 cm	44 cm	44 cm	

# QUADRIS40LONG



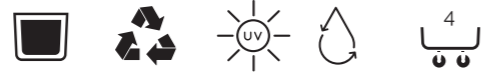
If you like to play with volume and shape, this Quadris is a perfect addition to your collection. It can be combined with other members of the Quadris family as well as with all other products from Otium. And yes, when throwing a party you can even use it as a bucket for bottles.

	height	length	width	volume
inside	34 cm	81 cm	36 cm	106 L
outside	44 cm	90 cm	44 cm	

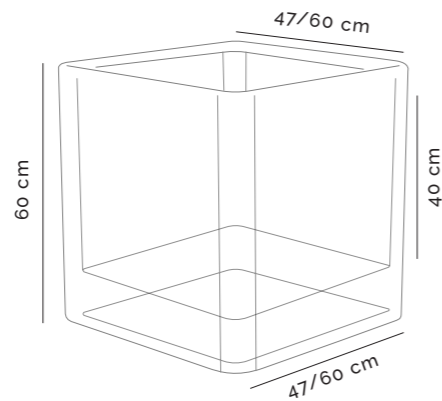


# QUADRIS 60

Just a bit bigger and just a bit more imposing, so there's more space for more flowers. The Quadris 60 brings more green inside and also steals the show outside, in the garden or on the terrace.



	inside	outside
height	40 cm	60 cm
length	47 cm	60 cm
width	47 cm	60 cm
volume	95 L	



RECYCLED  
PLASTICS & CORK



| WHITE



| VIOLET



| TURQUOISE



| TERRACOTTA | OCHRE



| NATURAL



| BLACK

VIRGIN  
PLASTICS



| WHITE



| BLACK



| ANTHRACITE





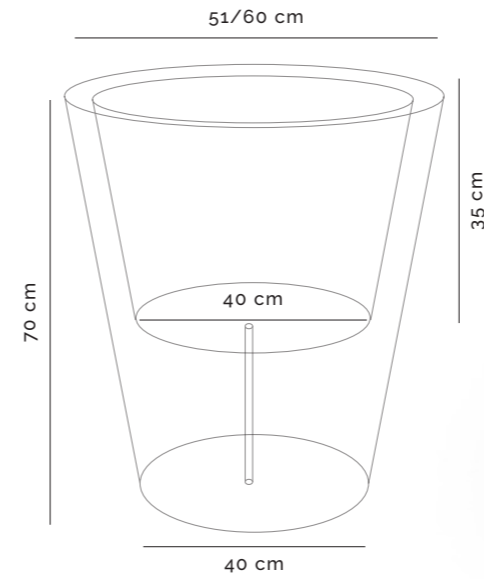
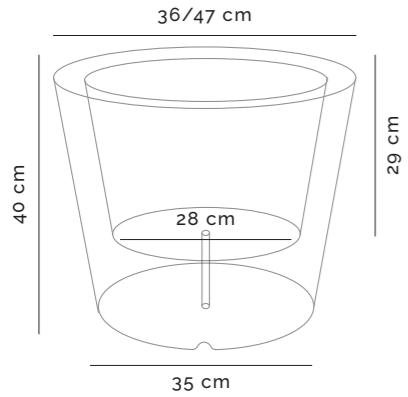
RECYCLED  
PLASTICS & CORK



VIRGIN  
PLASTICS



Ooh la la, Olla! The flower pot in its most essential form, yet exuding character. This must-have shows that less is often more. Although it truly shines in groups of two or three in different colours.



# OLLA40



The smallest member of the OLLA family. The OLLA 40 is a stand-alone hit, but is even more impressive in a group. Are you going for a two-tone ensemble or do you want to give your plant corner even more colour?

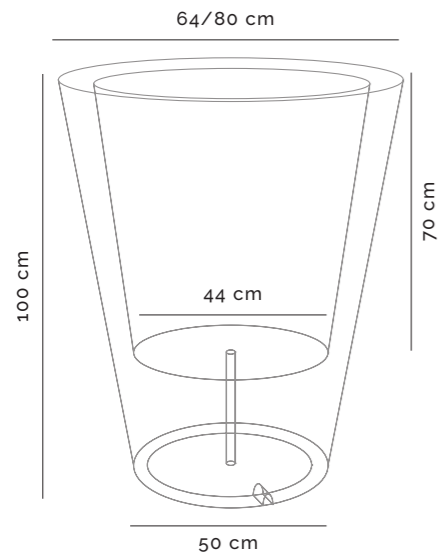
	height	top Ø	bottom Ø	volume
inside	32 cm	36 cm	28 cm	24 L
outside	40 cm	47 cm	35 cm	

# OLLA70



The OLLA branch of the family offers endless choices. The OLLA 70 is the slightly taller version, making it the perfect companion. Because every little sister needs a big brother.

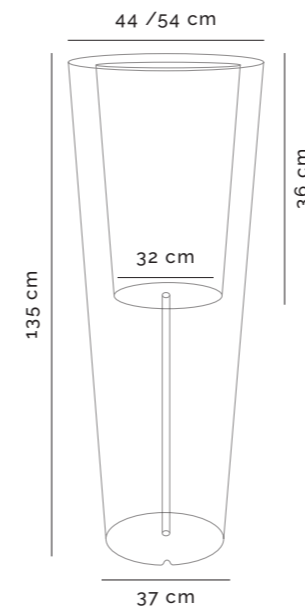
	height	top Ø	bottom Ø	volume
inside	35 cm	51 cm	40 cm	60 L
outside	70 cm	60 cm	40 cm	



The higher the pot, the wider it is. Plants that love a little space feel great in the metre-high OLLA. The OLLA 100 is the perfect eyecatcher.

	<b>height</b>	<b>top Ø</b>	<b>bottom Ø</b>	<b>volume</b>
<b>inside</b>	70 cm	64 cm	44 cm	163 L
<b>outside</b>	100 cm	80 cm	50 cm	

# OLLA100



A pot that makes a statement – that's the OLLA 135 in a nutshell! A clear, powerful design and a size that cannot be hidden. And why should you? Due to its slim shape, the Olla 135 is the ideal planter for the decoration of a hall or a doorway.

	<b>height</b>	<b>top Ø</b>	<b>bottom Ø</b>	<b>volume</b>
<b>inside</b>	36 cm	44 cm	32 cm	46 L
<b>outside</b>	135 cm	54 cm	37 cm	

# OLLA135

RECYCLED  
PLASTICS & CORK



VIRGIN  
PLASTICS







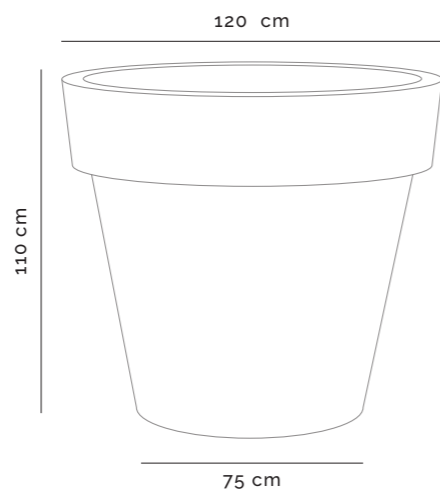
# CITTA

Large, larger, largest. Let there be no mistake. Citta is the largest and most impressive specimen in the Otium range.

Citta is a pot that makes its presence felt and cannot be ignored. Its design effortlessly brightens up cities, parks, amusement parks and allotments.



	inside	outside
height	110 cm	110 cm
top Ø	105 cm	120 cm
bottom Ø	75 cm	75 cm
volume	690 L	





RECYCLED PLASTICS & CORK

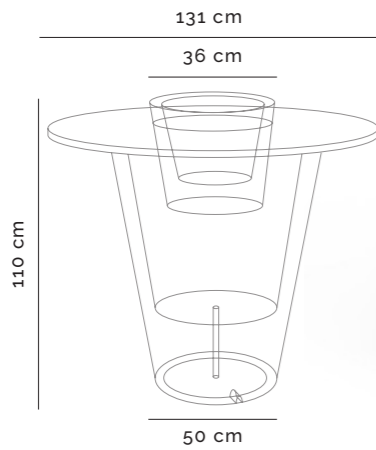


VIRGIN PLASTICS



This flower pot takes things higher and fancies itself as a table. One that you can fill in the centre with ice – let the champagne corks pop! Prefer to keep things sober? The Olla Table also serves simply as a flowerpot with a tall table to lean on.

OLLA TABLE VINUM

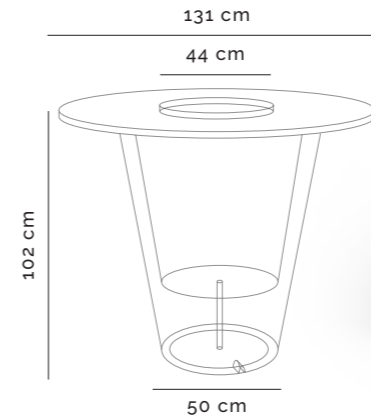


A flowerpot that looks like a table, or is it the other way around? Meet the Olla Table Vinum. It can even be used to lean on during extensive receptions. The heart of the table can easily be filled with ice and keeps a nice stock of champagne nicely chilled. Toast in style.

The Otium OLLA TABLE VINUM is an assembly consisting of the Olla 100, Olla 40 and a tabletop in teak.

	height	top Ø	bottom Ø	volume
outside	110 cm	131 cm	50 cm	24 L

OLLA TABLE HERBA



Are you more into plants than into champagne? If so, you can opt for the Olla Table Herba and fill the special pot with your favourite plants. The broad wooden edge puts them even more in the spotlight and gives you support while you maintain the plants.

The Otium OLLA TABLE HERBA is an assembly of the Olla 100 and a tabletop in teak.

	height	top Ø	bottom Ø	volume
outside	102 cm	131 cm	50 cm	163 L

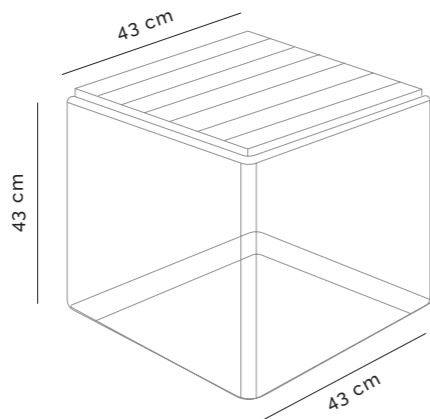


# CUBUS WOOD

Do you like taking your time to admire the full splendour of plants and the beauty of a garden? Meet the Cubus. A seat that not only fits perfectly with your collection of pots, but also comes in a wooden finish.



	outside
height	43 cm
length	43 cm
width	43 cm



This cube is a great spot to take a breather. It's also useful as a coffee table or for displaying accessories. A versatile object that nicely complements the Otium pot collection, but also looks great on its own.

VIRGIN PLASTICS



| WHITE



| BLACK



| ANTHRACITE



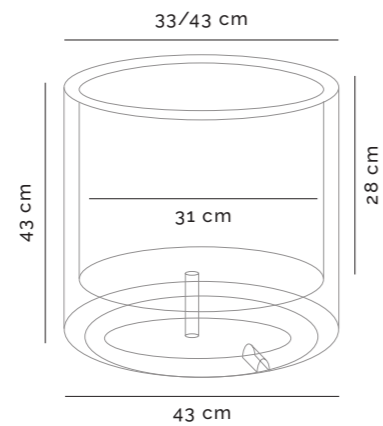


# CYLINDRUS WOOD

On the look-out for something a bit softer, rounder and more feminine? If so, the Cylindrus is the Cubus's proud sister. The same principle, but a softer design.



	inside	outside
height	28 cm	43 cm
top Ø	33 cm	43 cm
bottom Ø	31 cm	43 cm
volume	26 L	



Start thinking now about what you're going to put in the handy storage space. Cylindrus is equally happy standing indoors or outdoors – anywhere she can do what she does best.



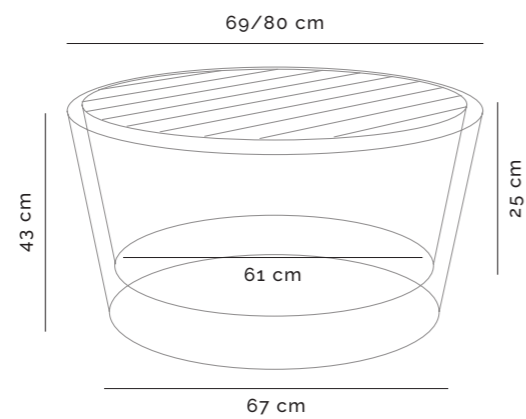


# BASSO WOOD

With each seat goes a table. The Basso fulfils that role splendidly. So, no more glasses on the floor that get knocked over just as soon as you move a foot. As of now, you meet around the Basso.



	inside	outside
height	25 cm	43 cm
top Ø	69 cm	80 cm
bottom Ø	61 cm	67 cm
volume	90 L	



A seating area also needs a table and Basso fulfils that task with verve. Place a few of Cubus or Cylindrus around it, and gather your friends for a chat late into the night. Also serves as a large pouffe with storage space or as an oversized flower box.





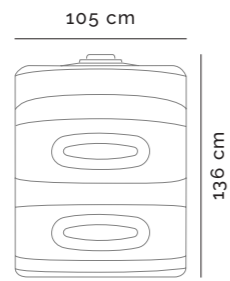
We'll admit, a water butt is not sexy. Still, this little model stands out from the crowd. Rainsaver captures a large volume of rainwater. Unlike many of her 'peers', however, she looks pretty too.



VIRGIN PLASTICS

| ANTHRACITE

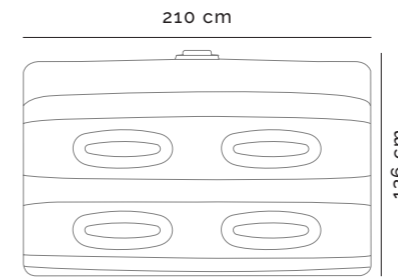
# RAINSAVER SLIMDESIGN 430



You don't have much room? Don't worry, even our smallest rain barrel easily swallows 430 litres of rain.

outside	height 136 cm	length 105 cm	width 46 cm	volume 430 L
---------	------------------	------------------	----------------	-----------------

# RAINSAVER SLIMDESIGN 850



This slender beauty stores up to 850 litres of water. Do the math to see how many thirsty plants you can quench with that.

outside	height 136 cm	length 210 cm	width 46 cm	volume 850 L
---------	------------------	------------------	----------------	-----------------



## DRAINAGE SYSTEM

Potted plants need to be shown off in flowerpots equipped with a good drainage system to protect them from excessive watering, whether as a result of natural rainfall or overwatering by an eager gardener.

Unless excess water is able to filter through the soil and drain away from the roots of your potted plants, the roots may develop root rot if they are exposed to standing water for an extended period of time. Root rot will eventually cause your potted plant to wither and die, since it will rob the plant of the ability to draw moisture and nutrients from the soil.



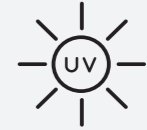
## SINGLE WALL DOUBLE WALL

The air gap between the two walls creates a layer of insulation for the roots of the plant, protecting them from frost and heat. In a double-walled pot, the outer layer protects against excessive sunlight and prevents the roots from burning.



## WHEEL SYSTEM

4pcs/6pcs



## UV-RESISTANT & COLOURFAST

Otium chooses to use quality raw materials to guarantee colourfastness.



## 100% RECYCLABLE

Yes, that's right: all of our products can be fully recycled over and over again. That way, nothing of all that beauty goes to waste. And together we help a more beautiful, waste-free world take root.



## EXTRA WEIGHT SYSTEM

Otium Olla 135, Amphora 75, Murus (27 & 90) and Linea (40 & 100) are provided with an extra weight system. The system is simply a closable opening. In the void that exists between the two walls, there is enough space to pour shingle or gravel into the pot. If enough weight is inserted, the pot will have extra stability and will not fall over in strong winds.

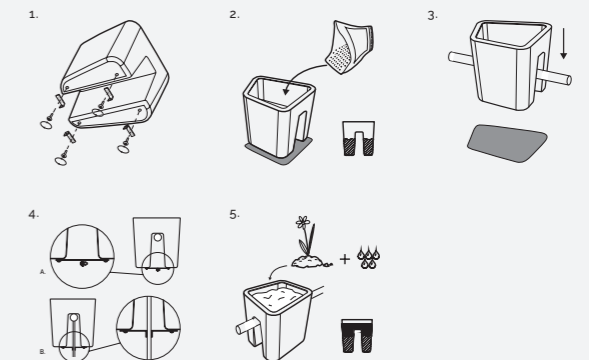


## EASILY STACKABLE

The Lignum and Citta flowerpots are stackable for ease of transportation.



## HANGING SYSTEM



# COLOUR RANGE

RECYCLED  
PLASTICS & CORK

## TECHNICAL SPECIFICATIONS

	INSIDE HEIGHT	INSIDE TOP Ø	INSIDE BOTTOM Ø	INSIDE LENGTH X WIDTH	INSIDE VOLUME	OUTSIDE HEIGHT	OUTSIDE TOP Ø	OUTSIDE BOTTOM Ø	OUTSIDE LENGTH X WIDTH	AVAILABLE IN ALL COLOURS
mensa 19	20	16	19	-	5	24	20	19	-	-
lignum 40	35	57	45	-	75	43	64	43	-	X
lignum 55	45	73	56	-	150	55	81	54	-	X
murus 27	30	22	22	-	17	80	27	27	-	X
murus 90	30	84	22	-	66	80	90	27	-	X
linea 40	32	30	30	-	28	75	38	38	-	X
linea 100	32	92	30	-	88	75	100	38	-	X
pendulum square	39	-	-	36 x 31	44	39	-	-	42 x 37	X
pendulum long	39	-	-	69 x 33	81	39	-	-	75 x 39	X
amphora 45	30	29	23	-	18	45	35	21	-	X
amphora 75	30	33	29	-	24	75	40	27	-	X
quadris 40	34	-	-	36 x 36	43	44	-	-	44 x 44	X
quadrislong	34	-	-	90 x 44	106	44	-	-	90 x 44	X
quadris 60	40	-	-	47 x 47	95	60	-	-	60 x 60	X
olla 40	32	36	28	-	24	40	47	35	-	X
olla 70	35	51	40	-	60	70	60	40	-	X
olla 100	70	64	44	-	163	100	80	50	-	X
olla 135	36	44	32	-	46	135	54	37	-	X
citta	110	105	75	-	690	110	105	75	-	-
olla table vinum	-	-	-	-	24	110	131	50	-	X
olla table herba	-	-	-	-	163	102	131	50	-	X
cubus wood	-	-	-	-	-	43	-	-	43 x 43	-
cylindrus wood	28	33	31	-	26	43	43	43	-	-
basso wood	25	69	61	-	90	43	80	67	-	-
rainsaver slimdesign430	-	-	-	-	430	136	-	-	105 x 46	-
rainsaver slimdesign 850	-	-	-	-	850	136	-	-	210 x 46	-

## EXTRAS INCLUDED

	DRAINAGE SYSTEM	DOUBLE WALL	100% RECYCLABLE	EXTRA WEIGHT SYSTEM	WHEEL SYSTEM	UV-RESISTANT & COLOURFAST	EASILY STACKABLE	HANGING SYSTEM
mensa 19			•			•		
lignum 40			•			•	•	
lignum 55			•			•	•	
murus 27	•	•	•	•		•		
murus 90	•	•	•	•		•		
linea 40		•	•	•	4	•		
linea 100		•	•	•	6	•		
pendulum square			•			•		•
pendulum long			•			•		•
amphora 45	•	•	•			•		
amphora 75	•	•	•	•		•		
quadris 40	•	•	•			•		
quadris 40 long	•	•	•		4	•		
quadris 60	•	•	•		4	•		
olla 40	•	•	•			•		
olla 70	•	•	•			•		
olla 100	•	•	•			•		
olla 135	•	•	•			•		
citta			•			•	•	
olla table vinum	•	•	•			•		
olla table herba	•	•	•			•		
cubus wood			•			•		
cylindrus wood	•	•	•			•		
basso wood	•	•	•			•		
rainsaver slimdesign430			•	•		•		
rainsaver slimdesign850			•	•		•		



